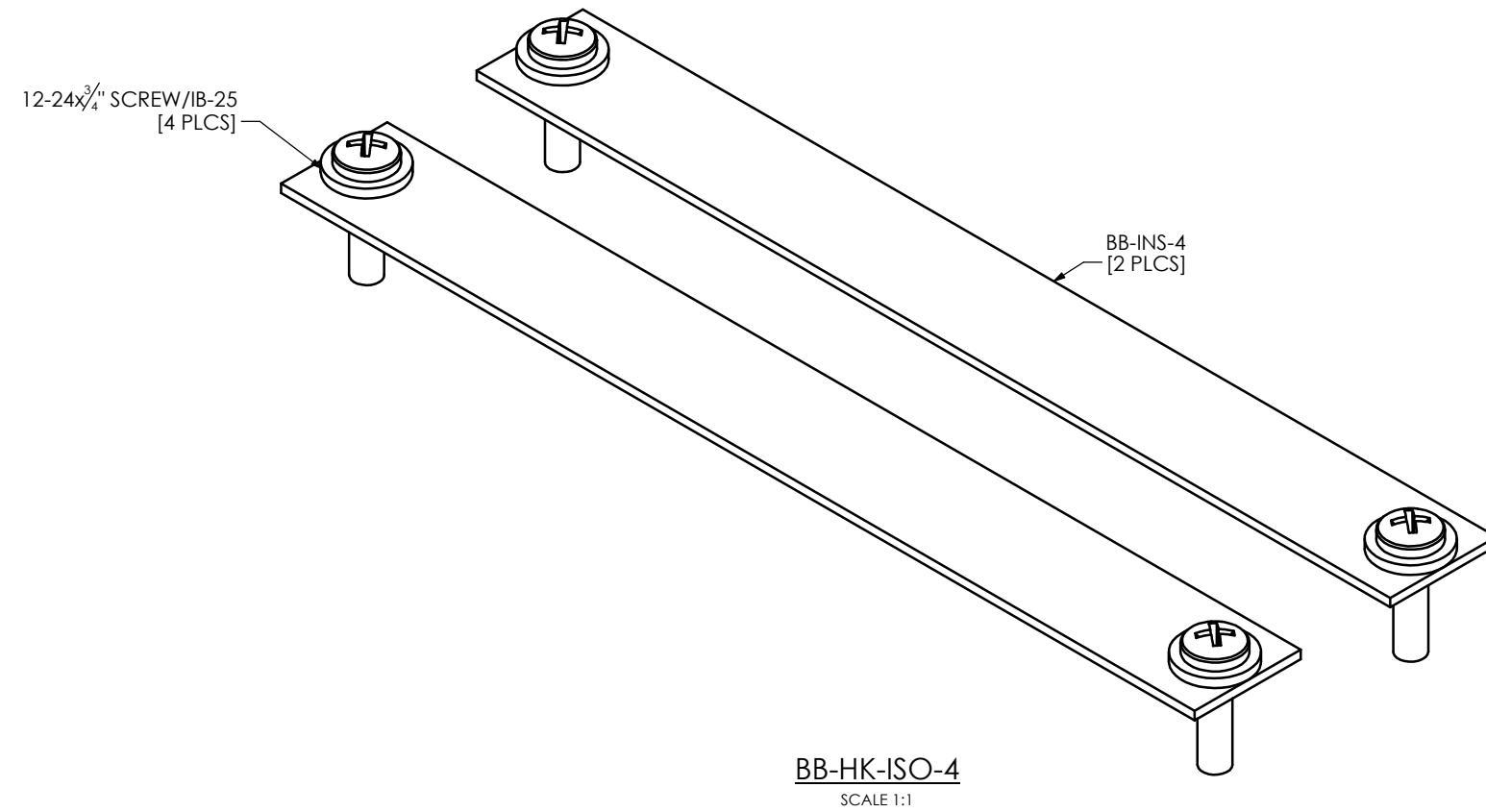



BILL OF MATERIALS

SHIP MARK	PC MARK	QTY.	DESCRIPTION	LENGTH	REMARKS	BLACK WT
BB-INS-4	-	2	FOUR TIMES SPACE INSULATOR FOR RACK MOUNT BUSS BARS	0'-7"	SHEAR	-
HARDWARE						
-	SC-12-24x34	4	#12-24 PHILLIPS PAN HEAD SCREW, T/F THREAD	0'-3/4"	-	-
-	IB-25	4	INSULATOR BUSHING, NYLON, .500" OD x .260" ID x .093" TALL	-	-	-



REVISIONS					
REV.	DATE	DESCRIPTION			BY
0	12/20/2019	INITIAL RELEASE			JW

 IZZY INDUSTRIES 701 RIVERWOOD STREET PEMBROKE, NH 03275 (T) 603-546-7117 (F) 866-715-4430	PROJECT TITLE				
	BB-HK-ISO-4 19" RACK MOUNTING HARDWARE KIT INSTALL DRAWING				
	CLIENT / CUSTOMER				JOB NO.
IZZY INDUSTRIES CATALOG				-	
DRAWN BY	DATE	CHECKED BY	DATE	SCALE	
ZM	12/20/2019	IM	12/20/2019	NTS	
GENERAL NOTES					
HOLES: AS NOTED		TOLERANCE: FRACTIONS - $\pm \frac{1}{16}$ "		REV.	0
FINISH: A123 GALVANIZING		ANGLE - $\pm 1^\circ$		SHEET	A-01
WELDING: STEEL \leq GR.50: E7XT-X WIRE		STEEL \geq GR.65: E8XT-X WIRE			

APPROVED
FOR CONSTRUCTION ON:
12/20/2019

THIS DOCUMENT IS THE PROPRIETARY DATA OF IZZY INDUSTRIES. NO DISCLOSURE, REPRODUCTION, OR USE OF ANY PART THEREOF MAY BE MADE EXCEPT BY WRITTEN PERMISSION.