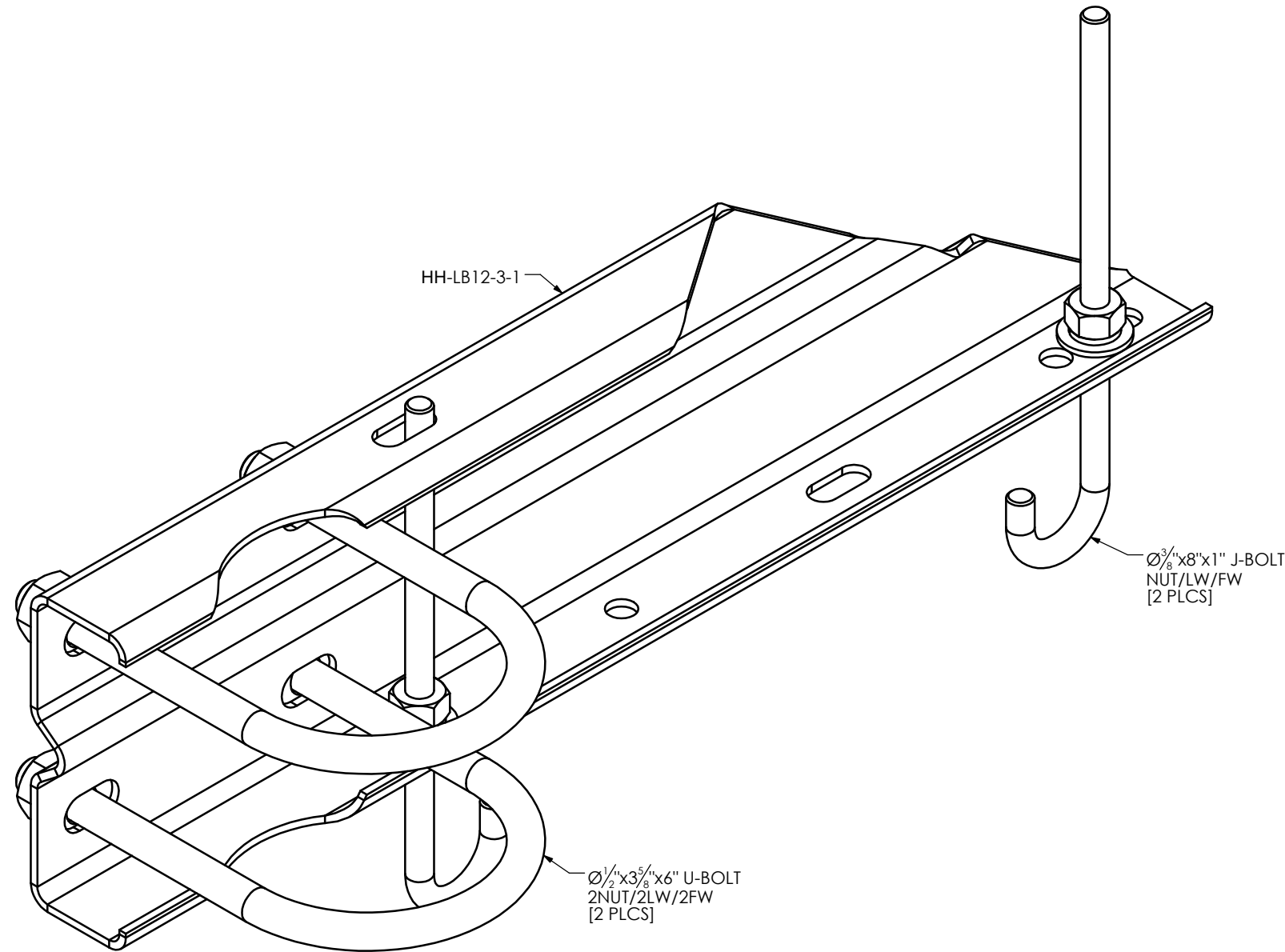


BILL OF MATERIALS

TOTAL SHIP WT = 7.7#


SHIP MARK	PC MARK	QTY.	DESCRIPTION	LENGTH	REMARKS	BLACK WT	Galv. WT
HH-LB12-3-1	-	1	11 GA x 8 3/4" SHEET	1'-8"	BURN/FORM	4.5	4.7
HARDWARE							
-	UB-12-358-6	2	Ø1/2" x 3 5/8" GALV. U-BOLT ASSY.	0'-6"	-	-	-
-	JBOLT-38-8-1	2	Ø3/8" x 1" GALV. J-BOLT	0'-8"	-	-	-
-	NG-38	2	Ø3/8" GALV. NUT	-	-	-	-
-	WFG-38	2	Ø3/8" GALV. FLAT WASHER	-	-	-	-
-	WLG-38	2	Ø3/8" GALV. LOCK WASHER	-	-	-	-



WB-LB12-3
SCALE 1:2

APPROVED
FOR CONSTRUCTION ON:
6/27/2018

REVISIONS			
REV.	DATE	DESCRIPTION	BY
0	6/27/2018	INITIAL RELEASE	ZM

 IZZY INDUSTRIES 701 RIVERWOOD STREET PEMBROKE, NH 03275 (T) 603-546-7117 (F) 866-715-4430	PROJECT TITLE HH-LB12-3, 12" WAVEGUIDE BRIDGE SUPPORT BRACKET KIT INSTALL DRAWING		JOB NO. -
	CLIENT / CUSTOMER IZZY INDUSTRIES CATALOG		SCALE NTS
	DRAWN BY ZM	DATE 1/31/2018	CHECKED BY IM
GENERAL NOTES HOLES: AS NOTED FINISH: A123 GALVANIZING WELDING: STEEL ≤ GR.50: E7XT-X WIRE STEEL ≥ GR.65: E8XT-X WIRE			TOLERANCE: FRACTIONS - ±1/16" ANGLE - ±1°
THIS DOCUMENT IS THE PROPRIETARY DATA OF IZZY INDUSTRIES. NO DISCLOSURE, REPRODUCTION, OR USE OF ANY PART THEREOF MAY BE MADE EXCEPT BY WRITTEN PERMISSION.			REV. 0 SHEET A-01