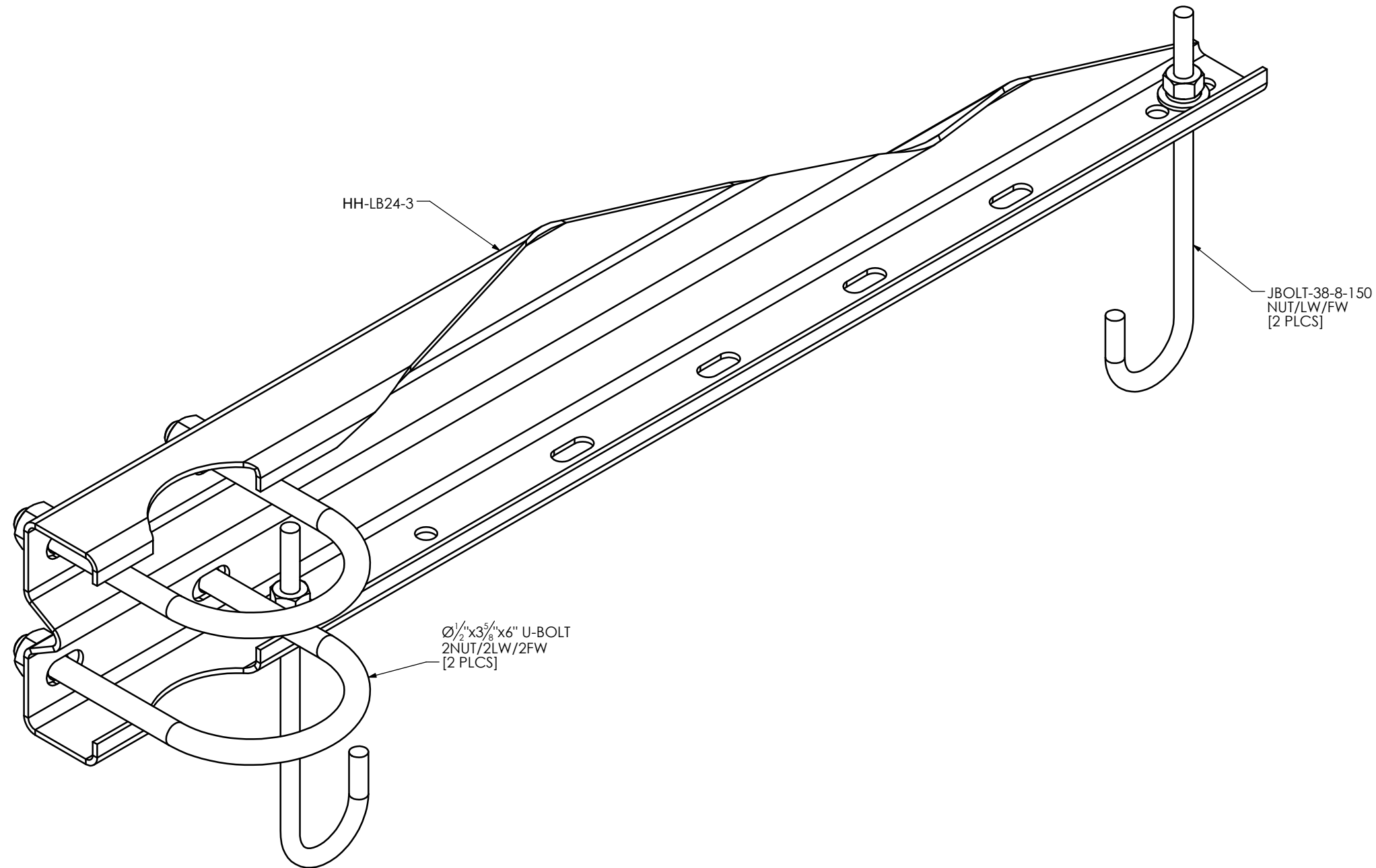



BILL OF MATERIALS

TOTAL GALV. WT = 10.8#

SHIP MARK	PC MARK	QTY.	DESCRIPTION	LENGTH	REMARKS	BLACK WT	GALV. WT
HH-LB24-3-1	-	1	11 GA. x 10 1/4" A36	2'-8"	BURN/FORM	7.4	7.7
HARDWARE							
-	JBOLT-38-8-150	2	Ø3/8" x 2 1/4" GALV. J-BOLT	0'-8 3/8"	-	-	-
-	UB-12-358-6	2	Ø1/2" x 3 5/8" GALV. U-BOLT ASSY.	0'-6"	-	-	-
-	NG-38	2	Ø3/8" GALV. NUT	-	-	-	-
-	WFG-38	2	Ø3/8" GALV. FLAT WASHER	-	-	-	-
-	WLG-38	2	Ø3/8" GALV. LOCK WASHER	-	-	-	-



REVISIONS			
REV.	DATE	DESCRIPTION	BY
0	6/27/2018	INITIAL RELEASE	ZM

 <p>IZZY INDUSTRIES 701 RIVERWOOD STREET PEMBROKE, NH 03275 (T) 603-546-7117 (F) 866-715-4430</p>	PROJECT TITLE HH-LB24-3, 24" WAVEGUIDE BRIDGE SUPPORT BRACKET KIT INSTALL DRAWING		JOB NO. -
	CLIENT / CUSTOMER IZZY INDUSTRIES CATALOG		SCALE NTS
	DRAWN BY ZM	DATE 1/31/2018	CHECKED BY IM
THIS DOCUMENT IS THE PROPRIETARY DATA OF IZZY INDUSTRIES. NO DISCLOSURE, REPRODUCTION, OR USE OF ANY PART THEREOF MAY BE MADE EXCEPT BY WRITTEN PERMISSION.			GENERAL NOTES HOLES: AS NOTED FINISH: A123 GALVANIZING WELDING: STEEL ≤ GR.50: E7XT-X WIRE STEEL ≥ GR.65: E8XT-X WIRE TOLERANCE: FRACTIONS - ±1/16" ANGLE - ±1°
APPROVED FOR CONSTRUCTION ON: 6/27/2018			REV. 0 SHEET A-01

FILE NAME: AT-WB-LB24-3 -INSTALL DATE PRINTED: 4/28/2020