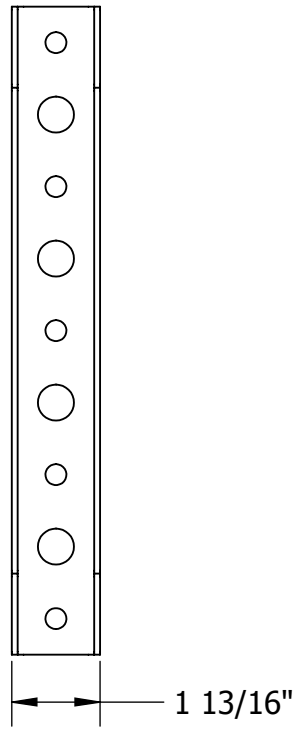
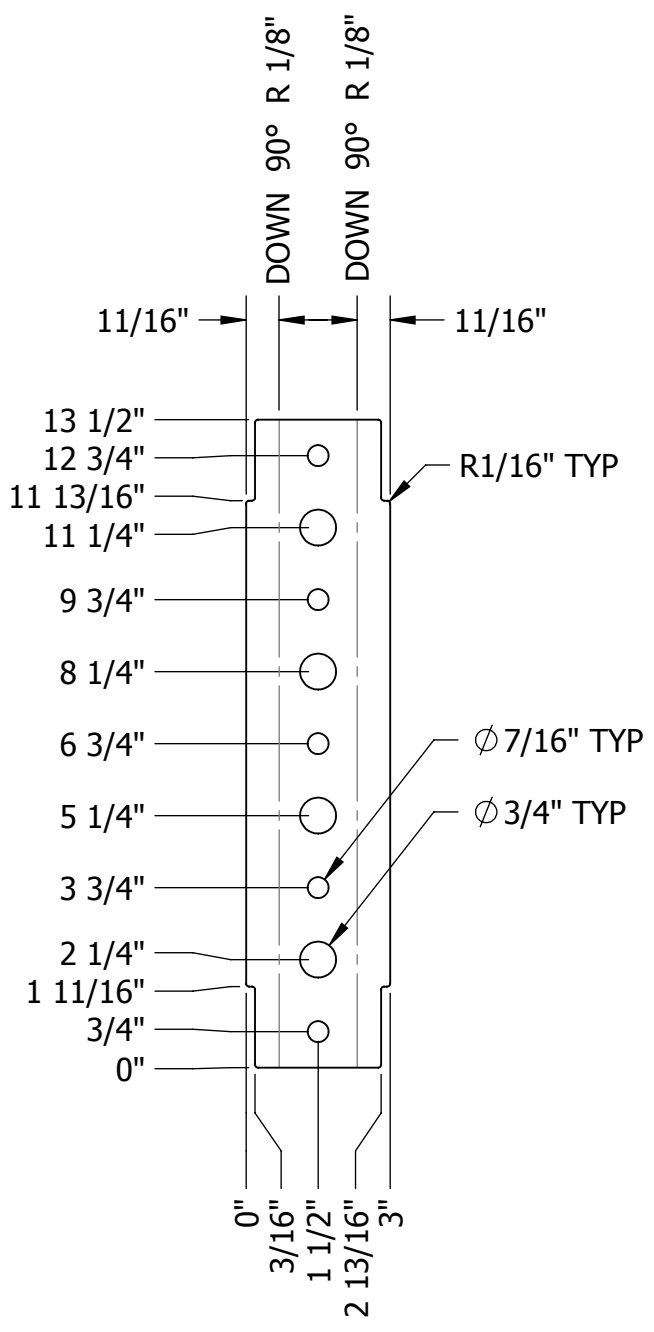
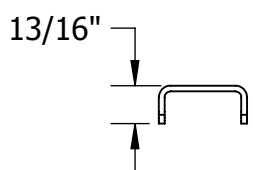
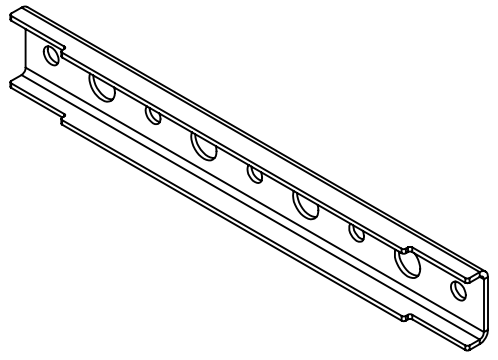



MATERIAL : A36
FINISH : GALVANIZED
WEIGHT (LBS): 1.26



BENT PROFILE

FLAT PATTERN

	PART # LR04			CABLE LADDER RUNG - 4 LINE	
	PAGE NUMBER	REVISION	DRAWN BY	SCALE : 1:4	
	1 OF 1			DATE: 8/26/2015	
			TOLERANCE U.N.O.: HOLES: +1/16", - 1/32" ALL OTHER: ±1/16"		