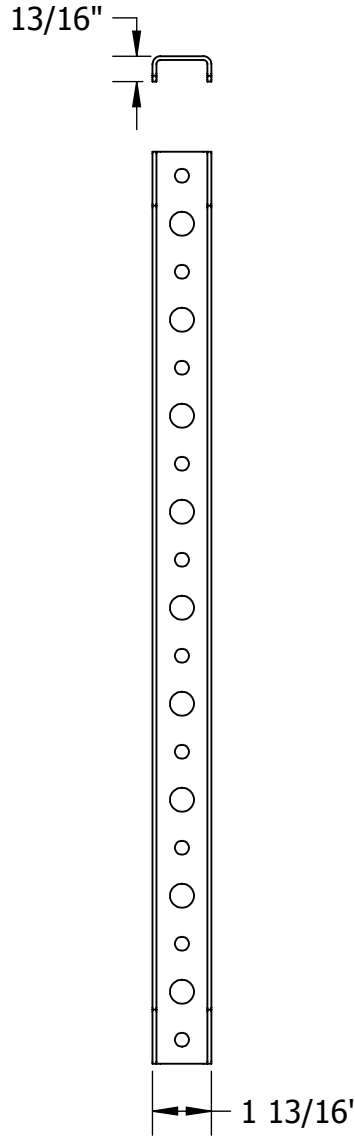
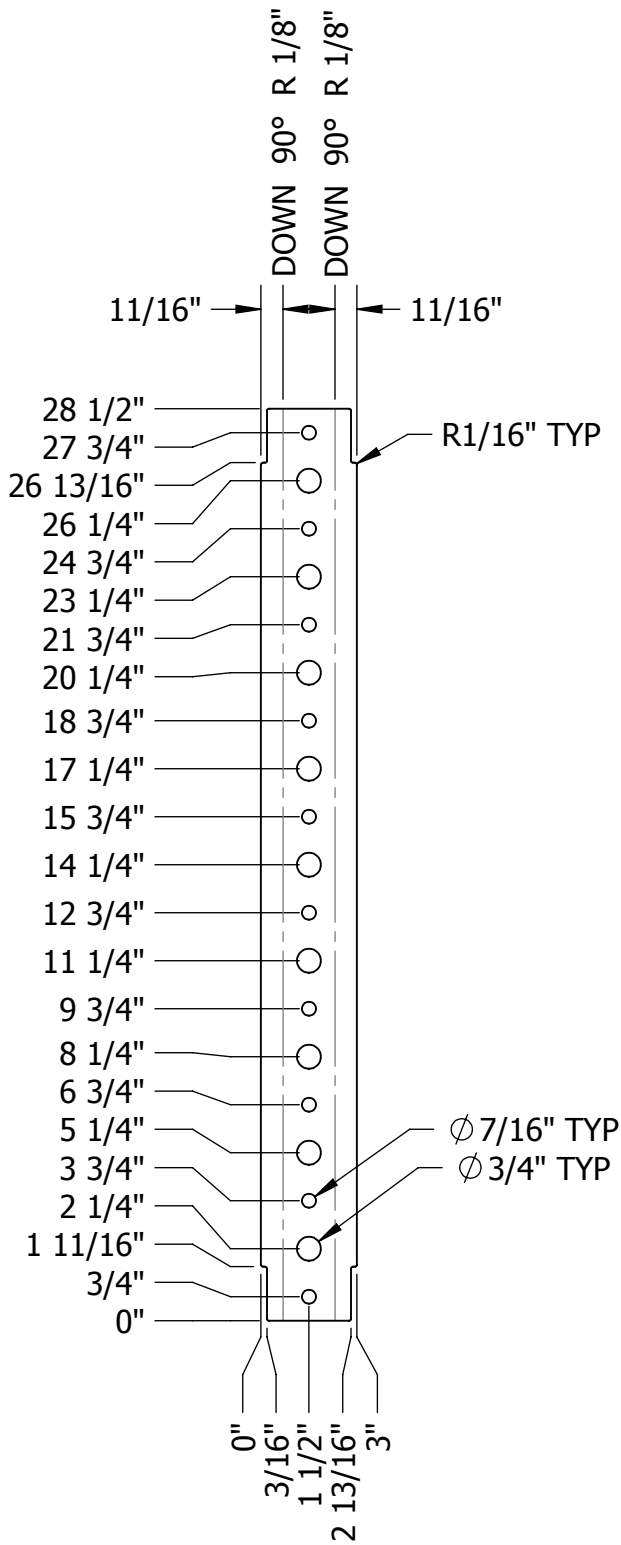
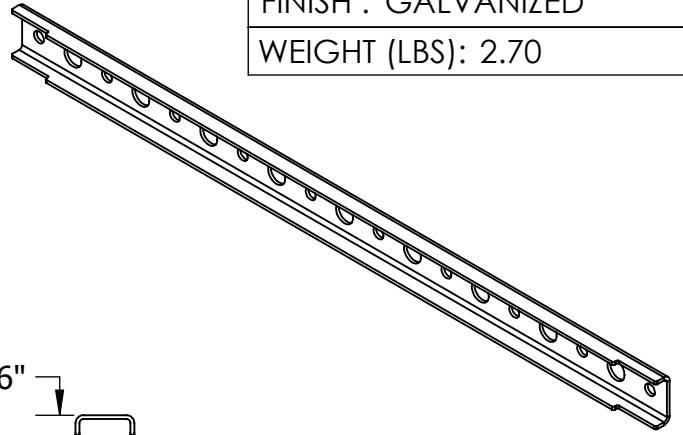
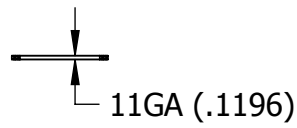


MATERIAL : A36

FINISH : GALVANIZED

WEIGHT (LBS): 2.70



BENT PROFILE

FLAT PATTERN

PART # LR09

CABLE LADDER RUNG - 9 LINE



SCALE : 1:6

PAGE NUMBER

REVISION

DRAWN BY

DATE: 8/26/2015

1 OF 1

0

TOLERANCE U.N.O.:
HOLES: +1/16", - 1/32"
ALL OTHER: ±1/16"