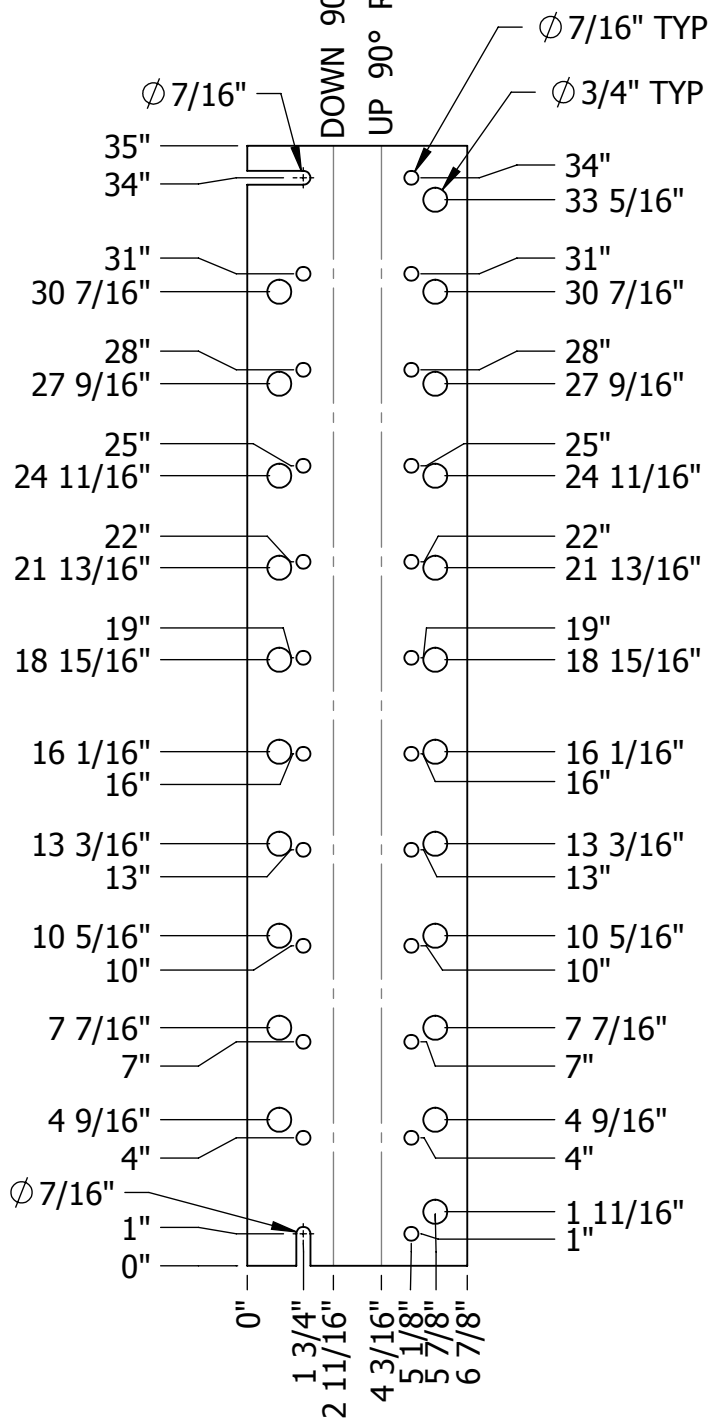
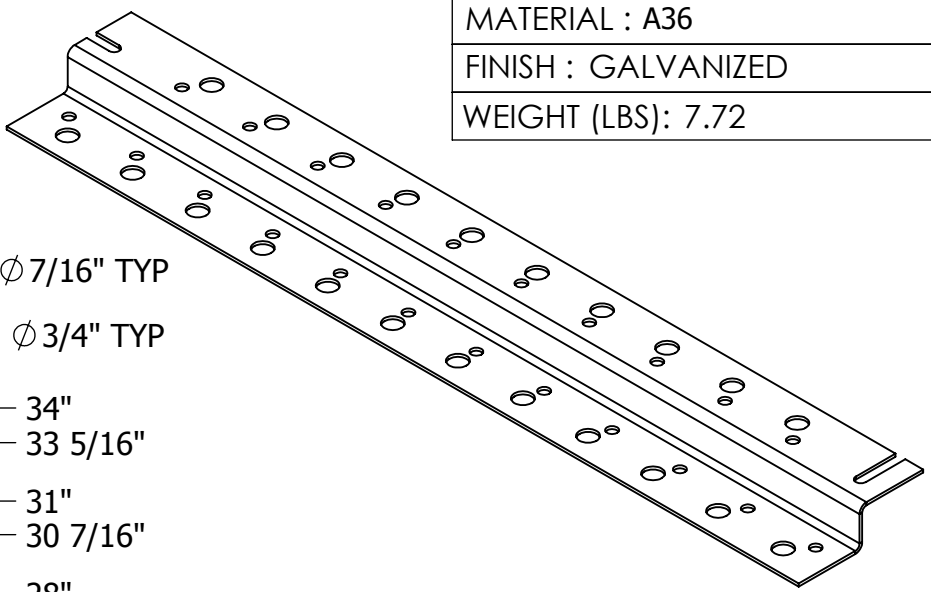
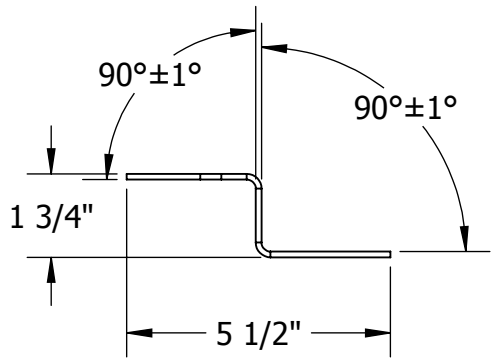


MATERIAL : A36
 FINISH : GALVANIZED
 WEIGHT (LBS): 7.72


11GA (.1196)



FLAT PATTERN



BENT PROFILE

	PART # ZB12			HORIZONTAL Z BRACKETS 22 COAX RUNS	
	PAGE NUMBER	REVISION	DRAWN BY	SCALE : 1:6	DATE: 8/26/2015
	1 OF 1	0		TOLERANCE U.N.O.: HOLES: +1/16", - 1/32" ALL OTHER: ±1/16"	